

COLUMN	COLUMN MKD.	COLUMN SIZE	REINFORCEMENT			TIE
			GR TO 2ND SLAB	2ND TO 3RD SLAB	3RD TO ROOF	
C1, C8, C10, C13, C15, C16, C17, C18, C20		250 X 450	8-20T	4-20T + 4-16T	8-16T	2L-8T @ 150 dc
C5, C11		250 X 450	4-20T + 4-16T	6-16T + 2-12T	4-16T + 4-12T	2L-8T @ 150 dc
C2, C3, C4, C6, C7, C14, C19		250 X 450	4-20T + 4-16T	4-16T + 4-12T	4-16T + 4-12T	2L-8T @ 150 dc
C9		250 X 450	4-20T + 4-16T	4-16T + 4-12T	4-16T + 4-12T	2L-8T @ 150 dc
C12		250 X 450	8-16T	8-16T	8-16T	4L-8T @ 150 dc

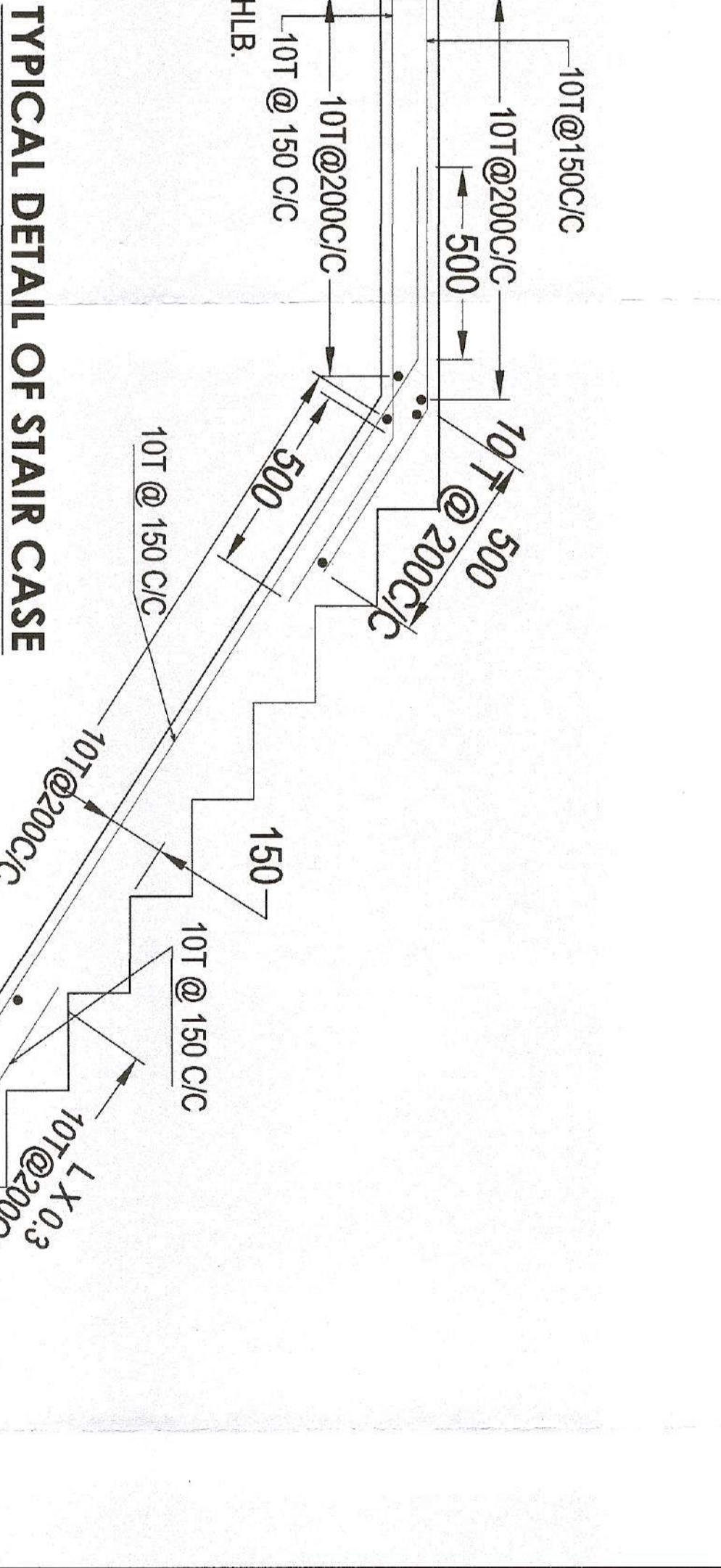
BEAM	SECTION	REIN (SUPPORT)		REIN (SPAN)		STIRRU
		TOP	BOTTOM	TOP	BOTTOM	
B1	250 X 500	3-16 #	3-16 #	3-16 #	3-16 #	2L-8T @ 150 dc
B2	250 X 500	3-16 #	3-16 #	3-16 #	3-16 #	2L-8T @ 150 dc
B3	250 X 500	3-16 #	3-16 #	3-16 #	3-16 #	2L-8T @ 150 dc
B4	250 X 500	3-16 #	3-16 #	3-16 #	3-16 #	2L-8T @ 150 dc
B5	250 X 500	3-16 #	3-16 #	3-16 #	3-16 #	2L-8T @ 150 dc
B1A	250 X 500	3-16 #	3-16 #	3-16 #	3-16 #	2L-8T @ 150 dc

SLAB	THK	SHORTER SPAN		LONGER SPAN	
		SUPPORT TOP	MID SPAN BOTTOM	SUPPORT TOP	MID SPAN BOTTOM
S1	115	8T @ 150 C/C	8T @ 175 C/C	8T @ 150 C/C	8T @ 200 C/C
S2	125	8T @ 125 C/C	8T @ 200 C/C	8T @ 125 C/C	8T @ 200 C/C
S3	150	10T @ 150 C/C	10T @ 150 C/C	10T @ 200 C/C	10T @ 125 C/C

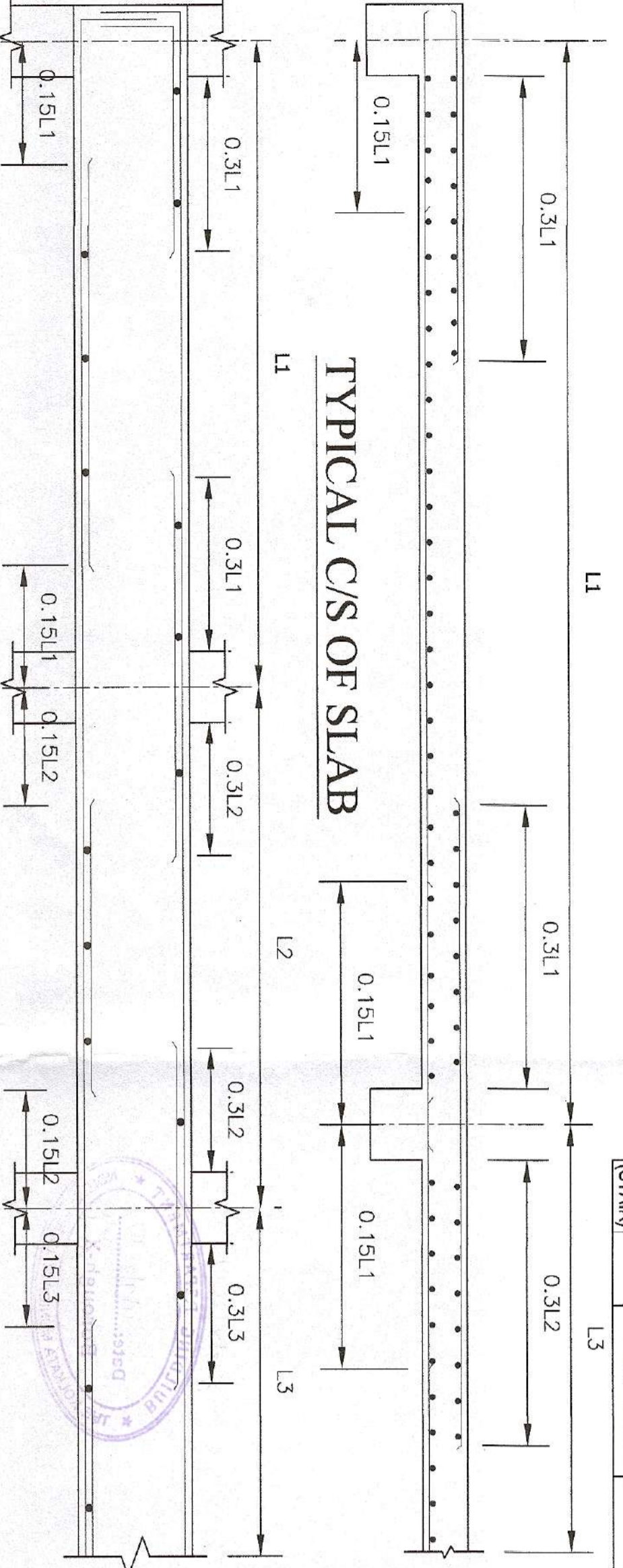
SLAB	THK	SHORTER SPAN		LONGER SPAN	
		SUPPORT TOP	MID SPAN BOTTOM	SUPPORT TOP	MID SPAN BOTTOM
S1	115	8T @ 150 C/C	8T @ 175 C/C	8T @ 150 C/C	8T @ 200 C/C
S2	125	8T @ 125 C/C	8T @ 200 C/C	8T @ 125 C/C	8T @ 200 C/C
S3	150	10T @ 150 C/C	10T @ 150 C/C	10T @ 200 C/C	10T @ 125 C/C

BEAM	SECTION	REIN (SUPPORT)		REIN (SPAN)		STIRRU
		TOP	BOTTOM	TOP	BOTTOM	
F1	500 X 750	6-25T	4-25T + 4-25T	6-25T	4-25T + 4-25T	6L-10T @ 150 dc

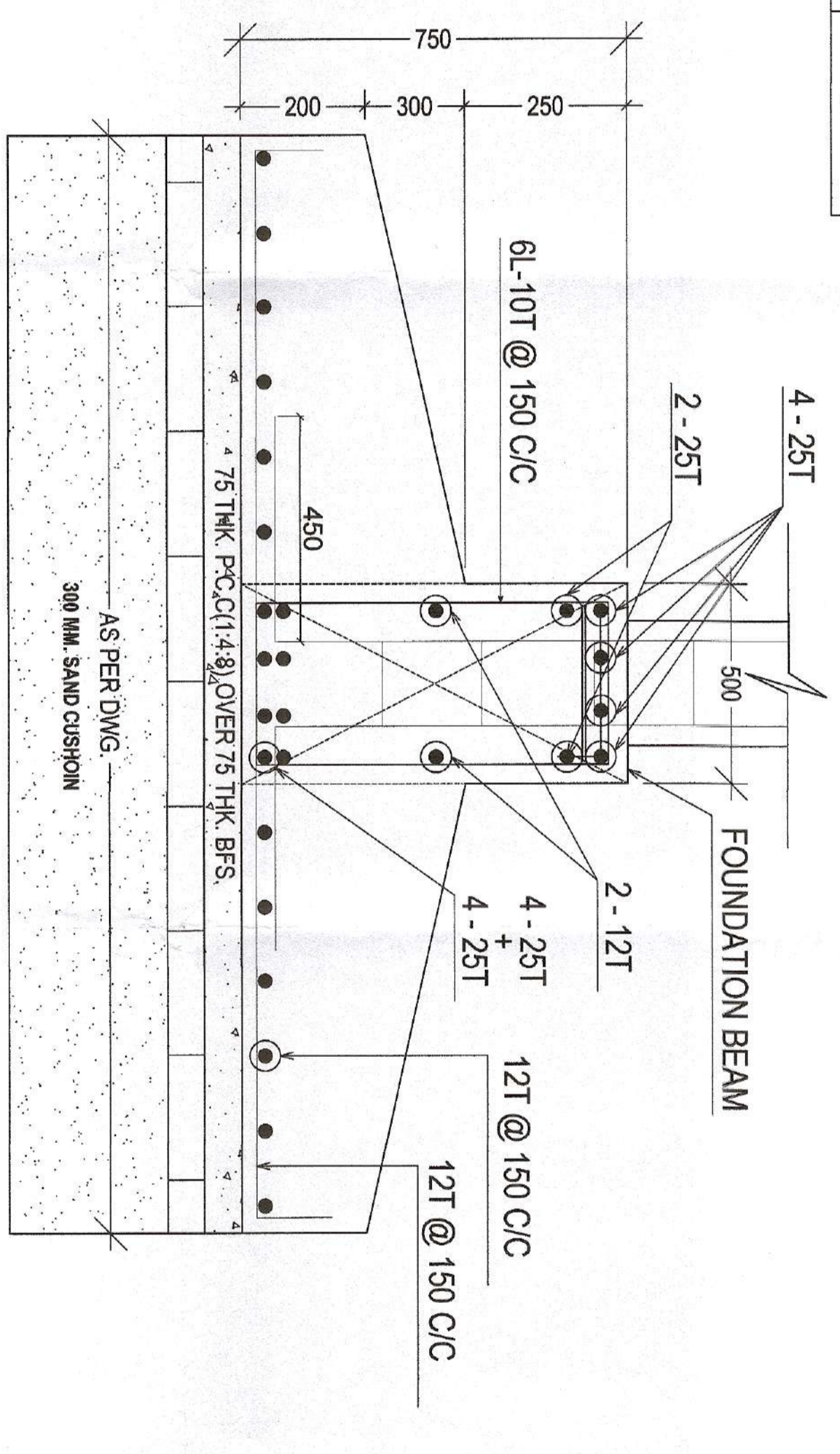
FNDN	MCD	FNDN SIZE (mm)	L X B (mm)	D (mm)	REINFORCEMENT
F1					ALL COLUMN AS PER DWG. 200. 300. 12T @ 150 (dc/BW)



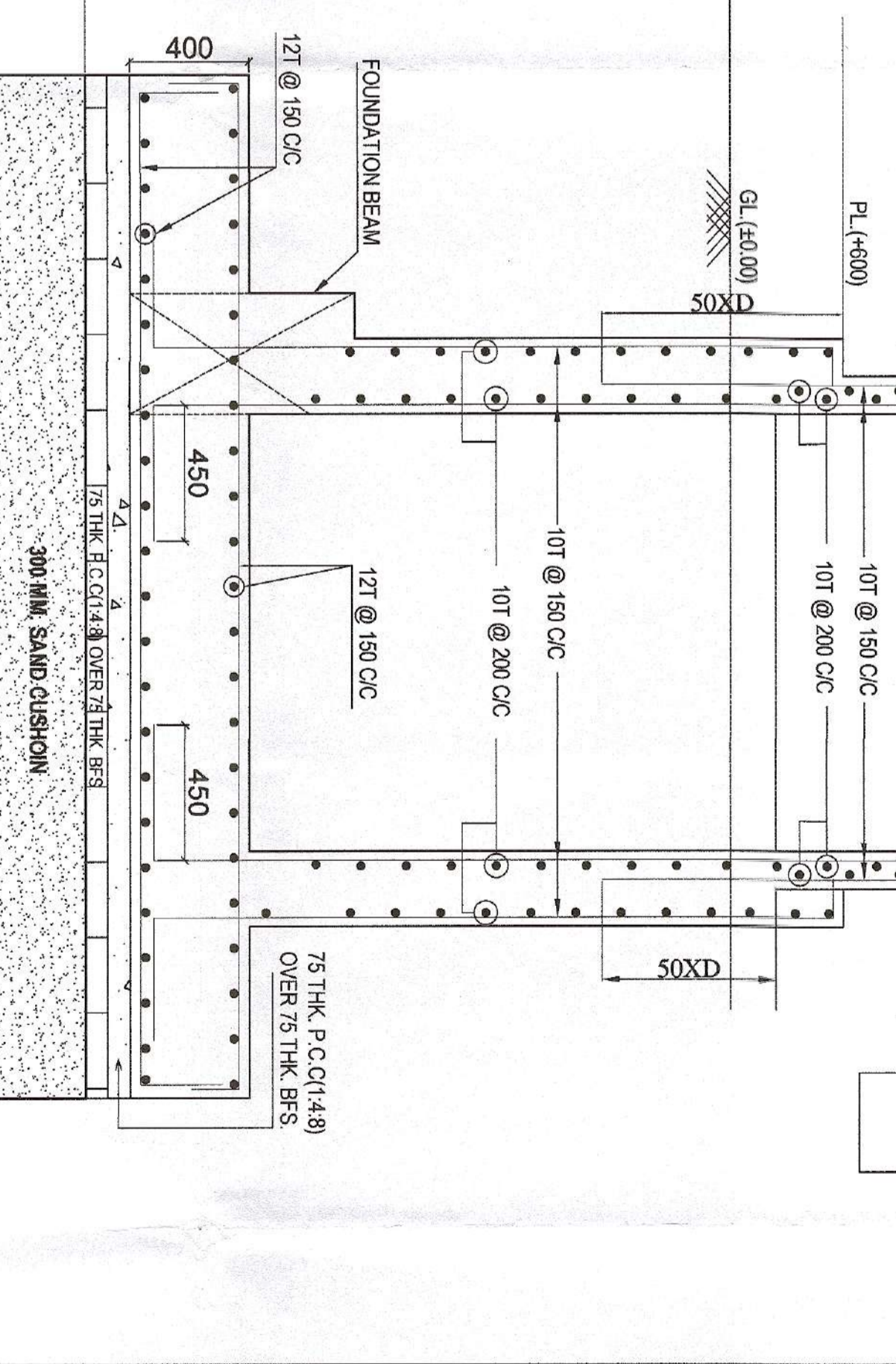
TYPICAL DETAIL OF STAIR CASE



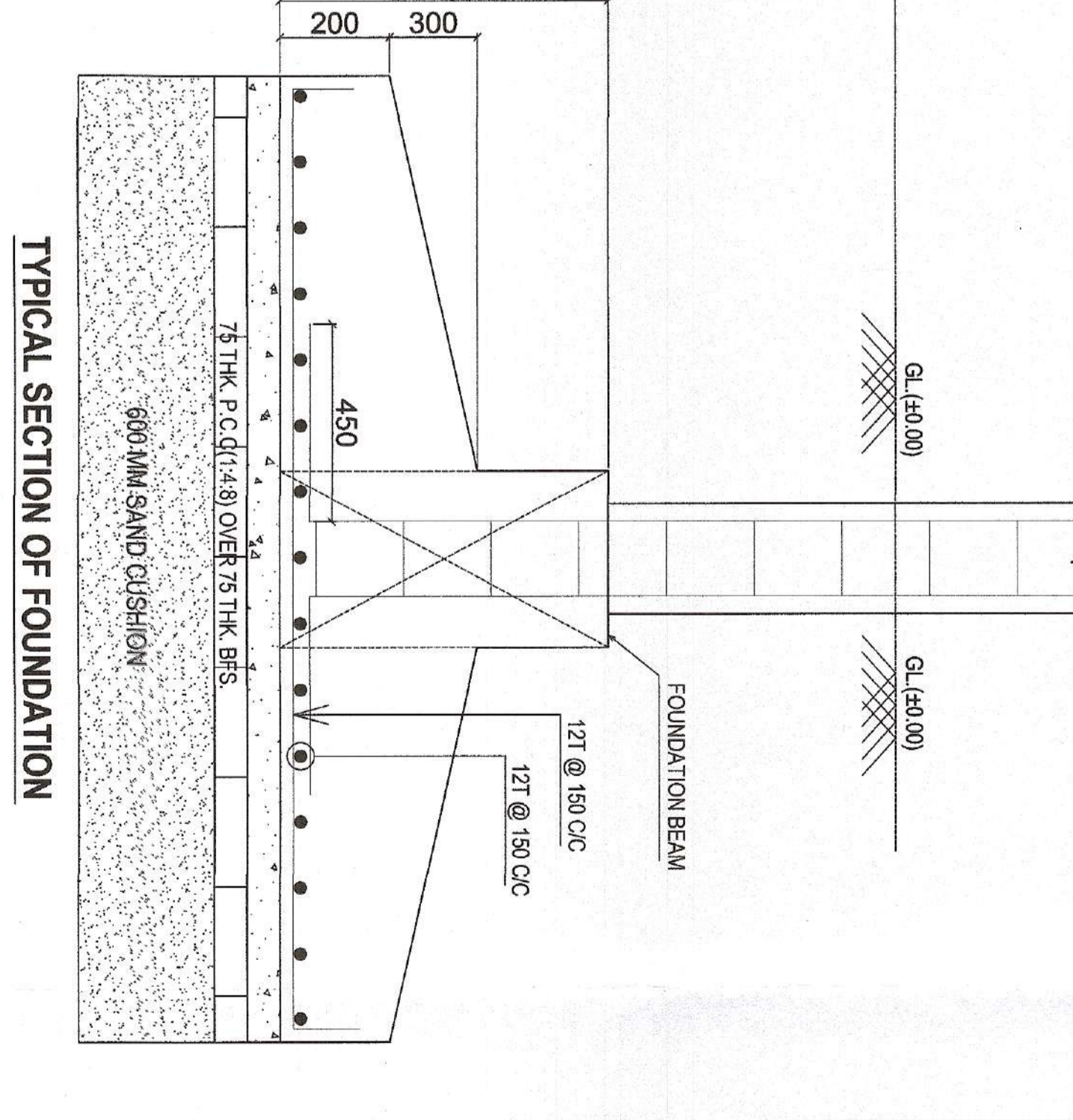
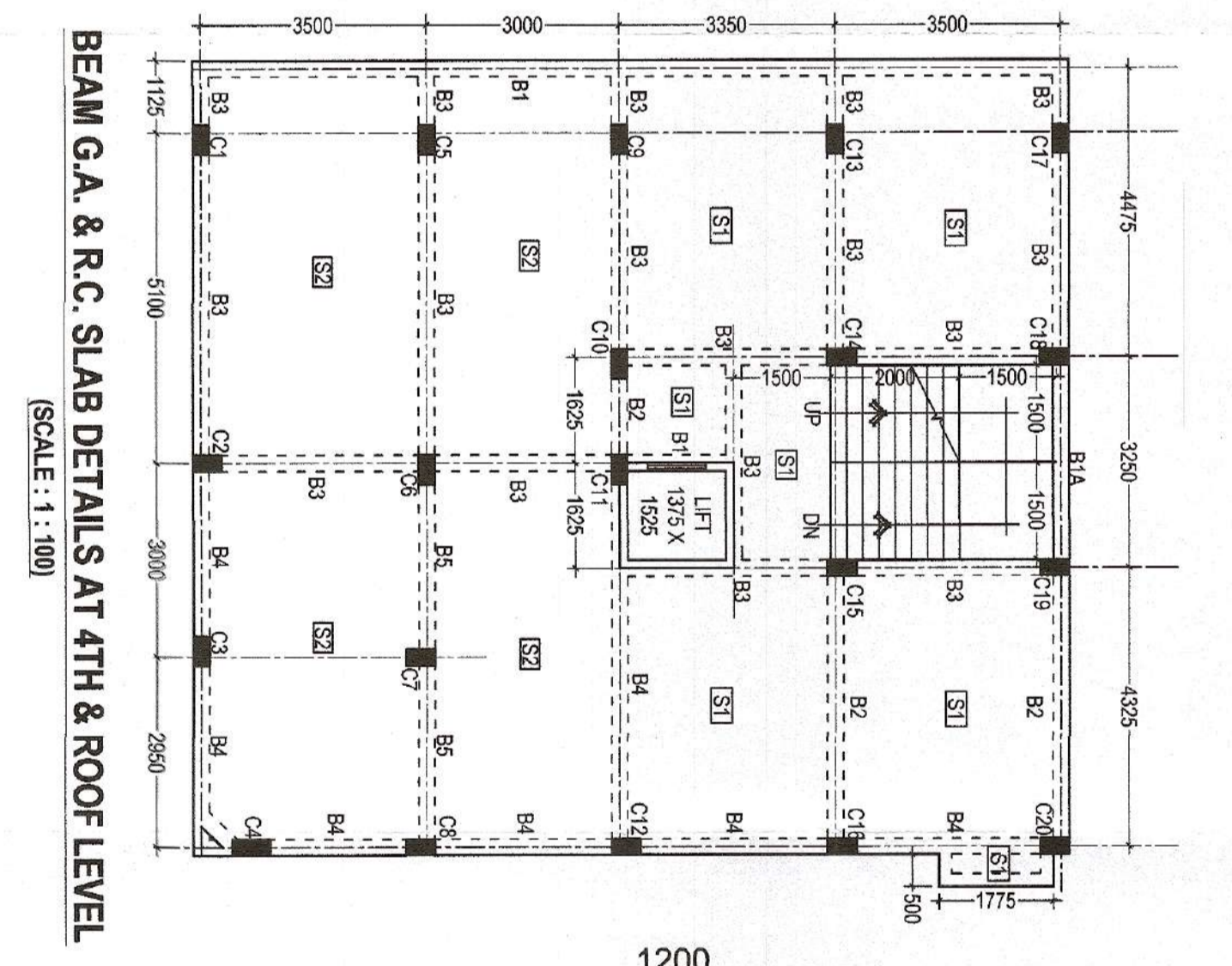
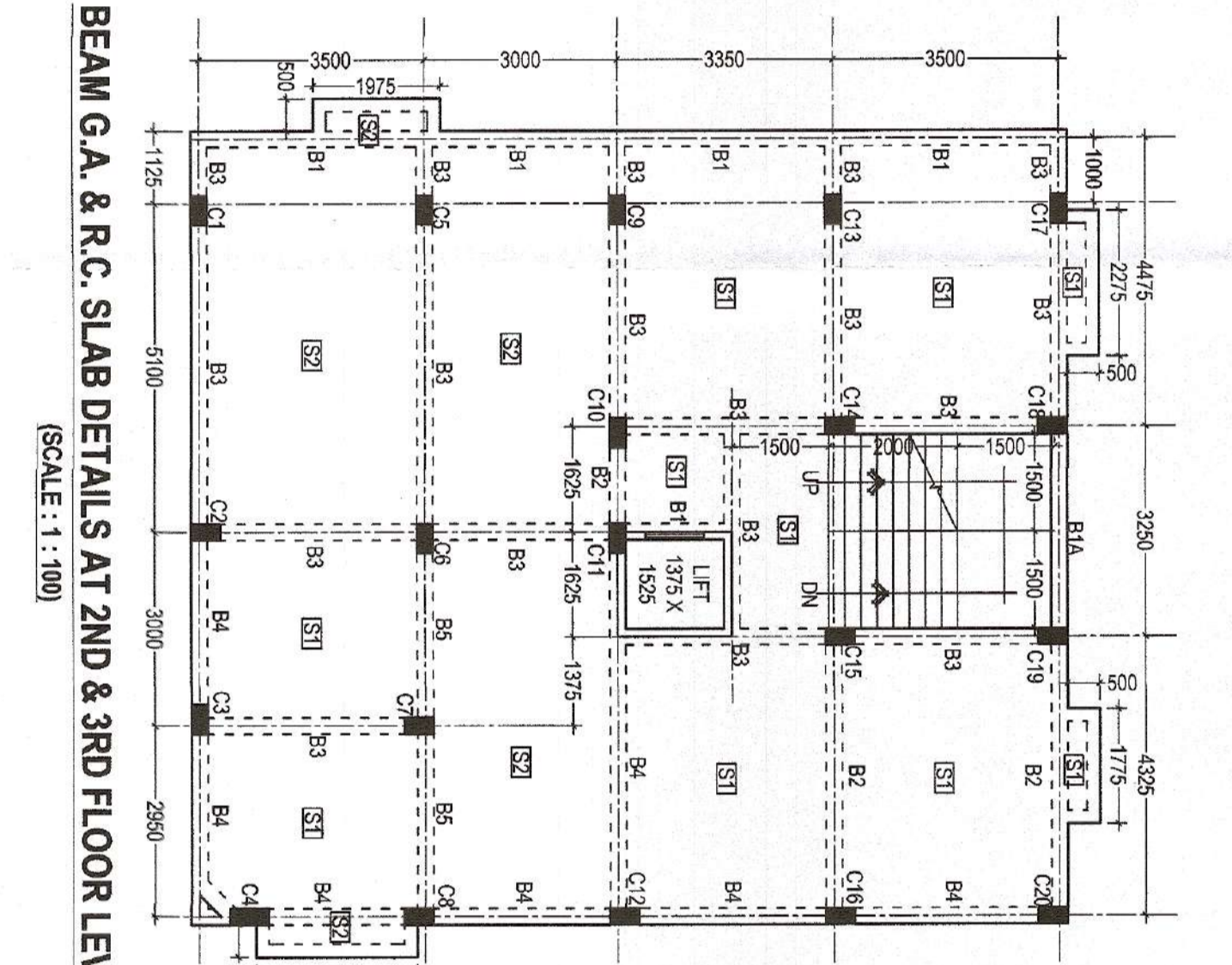
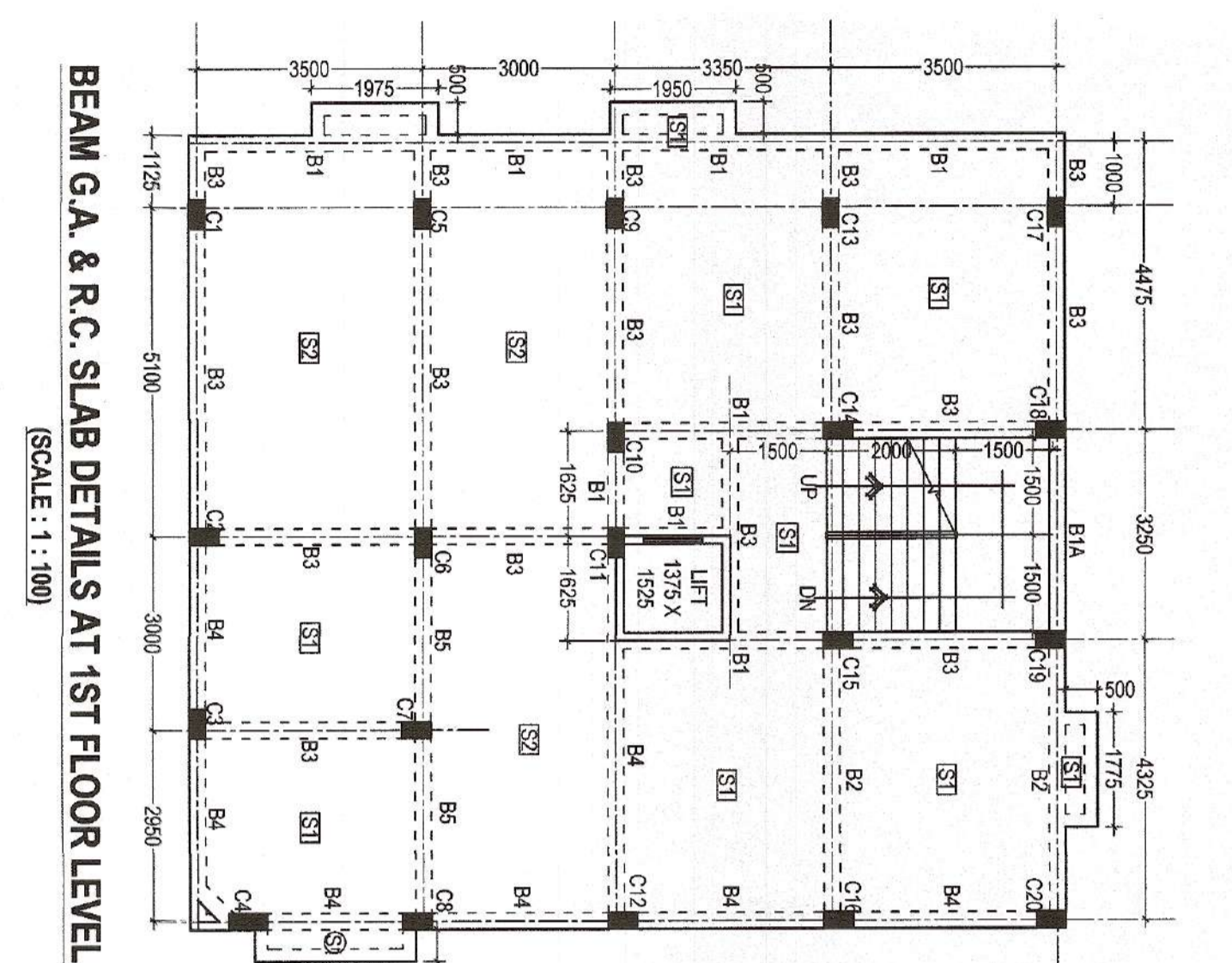
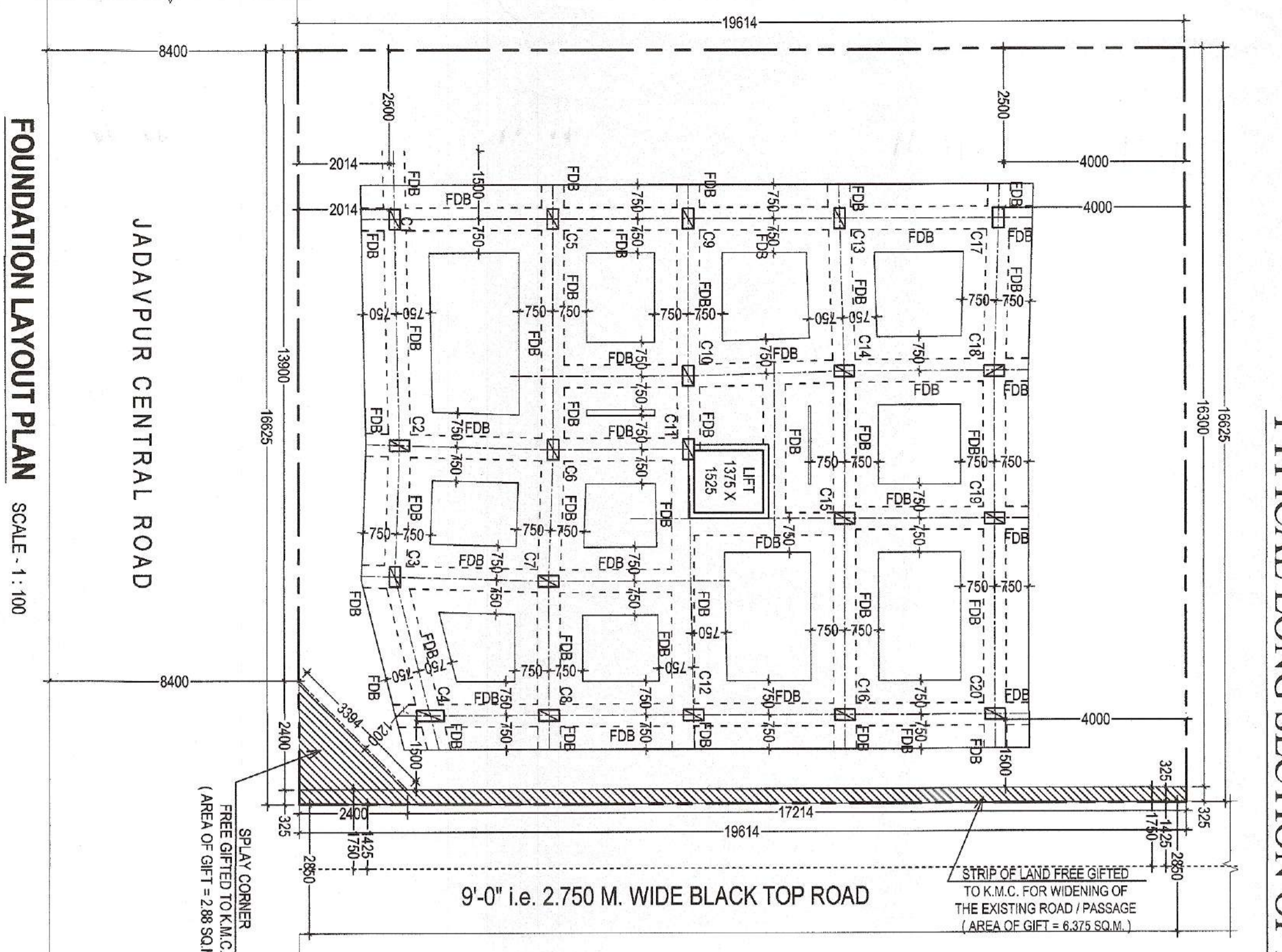
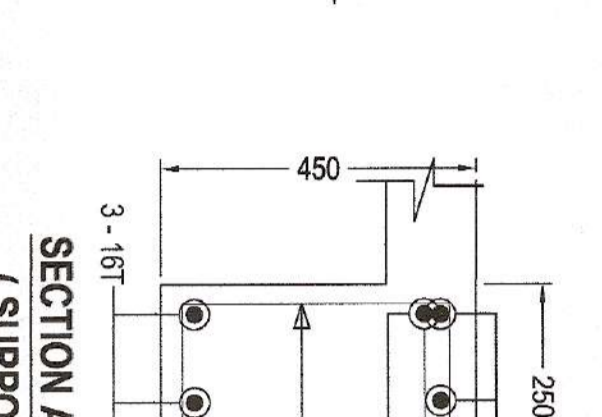
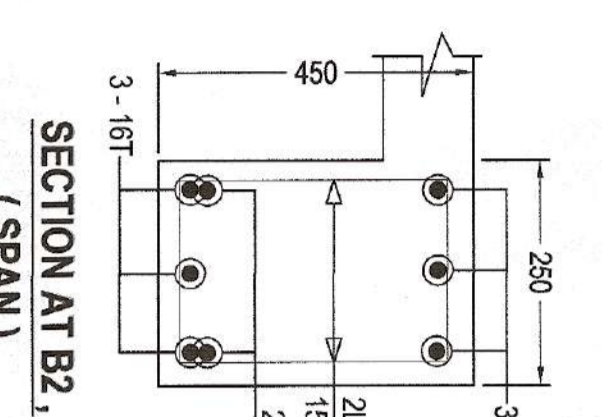
TYPICAL LONG SECTION OF BEAM



SECTION OF FBD (AT SPAN)



TYPICAL DETAIL OF LIFT



NOTES & SPECIFICATIONS :-

- ALL DIMENSIONS ARE IN MM UNLESS OTHERWISE MENTIONED.
- CONCRETE GRADE IS M25 FOR ALL FLOORS.
- IN CASE OF ANY DISCREPANCY IN DWG. REFER TO ARCHITECT.
- FOUNDATION :- 1) BOTTOM COVER - 50MM SHOULD BE MAINTAINED.
- COLUMN - 6-16. 2) SIDE COVER - 75MM.
- BEAM - 1) TOP - 25MM. 2) BOTTOM - 25MM.
- SLAB - 1) TOP - 15MM. 2) SIDE - 15MM.
- EXTRA TOP REINFORCEMENT :-
- EXTRA BOTTOM REINFORCEMENT :-
- EXTRA TOP COVER REINFORCEMENT :-
- EXTRA DISTANCE OF CONT. SLAB :-
- EXTRA DISTANCE OF DISCONT. EDGE :-
- EXTRA TOP CURTAILMENT OF BAR :- 0.30CC DISTANCE OF CONT. EDGE.
- EXTRA BOTTOM CURTAILMENT OF BAR :- 0.30CC DISTANCE OF CONT. EDGE.
- EXTRA TOP CURTAILMENT OF BAR :- 0.30CC DISTANCE OF CONT. EDGE.
- EXTRA BOTTOM CURTAILMENT OF BAR :- 0.30CC DISTANCE OF CONT. EDGE.
- EXTRA TOP CURTAILMENT OF BAR :- 0.30CC DISTANCE OF CONT. EDGE.
- EXTRA BOTTOM CURTAILMENT OF BAR :- 0.30CC DISTANCE OF CONT. EDGE.

OWNERS' APPLICATION'S DECLARATION :-

I, THE UNDERSIGNED, BEING THE OWNER OF THE ABOVE SAID BUILDING, DO HEREBY CERTIFY THAT THE BUILDING IS BEING CONSTRUCTED IN ACCORDANCE WITH THE BUILDING REGULATIONS AND THAT I SHALL FOLLOW THE INSTRUCTIONS OF L.S & S.E. DURING CONSTRUCTION OF THE BUILDING (AS PER B & PLAN).

CERTIFICATE OF ARCHITECT :-

I, THE ARCHITECT, DO HEREBY CERTIFY THAT THE BUILDING IS BEING CONSTRUCTED IN ACCORDANCE WITH THE BUILDING REGULATIONS AND THAT I SHALL FOLLOW THE INSTRUCTIONS OF L.S & S.E. DURING CONSTRUCTION OF THE BUILDING (AS PER B & PLAN).

CERTIFICATE OF STRUCTURAL ENGINEER :-

I, THE STRUCTURAL ENGINEER, DO HEREBY CERTIFY THAT THE BUILDING IS BEING CONSTRUCTED IN ACCORDANCE WITH THE BUILDING REGULATIONS AND THAT I SHALL FOLLOW THE INSTRUCTIONS OF L.S & S.E. DURING CONSTRUCTION OF THE BUILDING (AS PER B & PLAN).

CERTIFICATE OF GEO-TECHNICAL ENGINEER :-

I, THE GEO-TECHNICAL ENGINEER, DO HEREBY CERTIFY THAT THE BUILDING IS BEING CONSTRUCTED IN ACCORDANCE WITH THE BUILDING REGULATIONS AND THAT I SHALL FOLLOW THE INSTRUCTIONS OF L.S & S.E. DURING CONSTRUCTION OF THE BUILDING (AS PER B & PLAN).

PROJECT :-

PROPOSED GROUND + FOUR STORED [15.450 METER HEIGHT]
RESIDENTIAL BUILDING AT PREMISES NO. 74/91/79,
JADAVPUR CENTRAL ROAD, P. S. JADAVPUR WARD NO. 0095,
KOLKATA 700 032, UNDER BOROUGH X [K.M.C.]
U/S 393A OF K.M.C. ACT, 1980 & K.M.C. BLDG. RULE 2009.
PLAN CASE NO. 2020100378

TITLE :-

FOUNDATION LAYOUT PLAN & DETAILS OF BEAM G.A. & R.C. SLAB DETAILS AT TYPICAL FLOOR LEVEL, THE BEAM LAYOUT PLAN

DRAWING SHEET NO. 01

DATE: 31.08.2021

ALL DIMENSIONS ARE IN MM (UNLESS OTHERWISE MENTIONED)

Architectural Consultant: COLLAGE ARCHITECTS
1486 PAUDANGA MAIN ROAD, (OPPOSITE PURBA ABASAN OF BLOCK)
KOLKATA 700 107, INDIA, PHONE NO. 033-4932-8989,
E-MAIL: collage.architects.in@gmail.com

Dr. S. K. Chatterjee, Signature of Geo-Technical Engineer
ME. Sankar Ghosh, Signature of Structural Engineer
Dr. S. K. Chatterjee, Signature of Structural Engineer
ME. Sankar Ghosh, Signature of Geo-Technical Engineer

Dr. S. K. Chatterjee, Signature of Structural Engineer
ME. Sankar Ghosh, Signature of Geo-Technical Engineer


Dr. S. K. Chatterjee, Signature of Structural Engineer
ME. Sankar Ghosh, Signature of Geo-Technical Engineer

Dr. S. K. Chatterjee, Signature of Structural Engineer
ME. Sankar Ghosh, Signature of Geo-Technical Engineer

Dr. S. K. Chatterjee, Signature of Structural Engineer
ME. Sankar Ghosh, Signature of Geo-Technical Engineer

PARTY'S COPY

Structural plan and design calculation is submitted by the structural engineer, has been approved by the B.P. No. 27/77, Date 2/3/77 for the construction of the Kollate Municipal Corporation without verification No. deviation from the submitted structural plan should be made at the time of erection without submitting fresh structural plan presented for design calculation and safety certificate in the accordance with the provisions of the Act and Rules and safety of human life during construction.



BUILDING DEPARTMENT
Borough
Date: 11/12/77
The KOLKATA MUNICIPAL CORPORATION

DR. B. N. GHOSH
RISHI BHARATI
RISHI BHARATI
RISHI BHARATI
RISHI BHARATI
RISHI BHARATI

VIJAY KUMAR

DR. B. N. GHOSH

DR. B. N. GHOSH